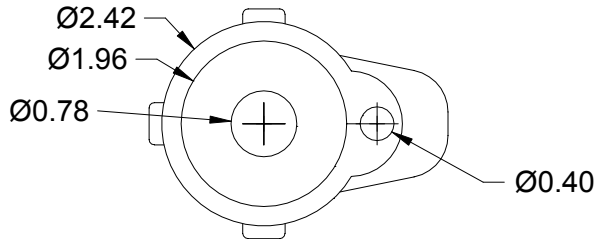
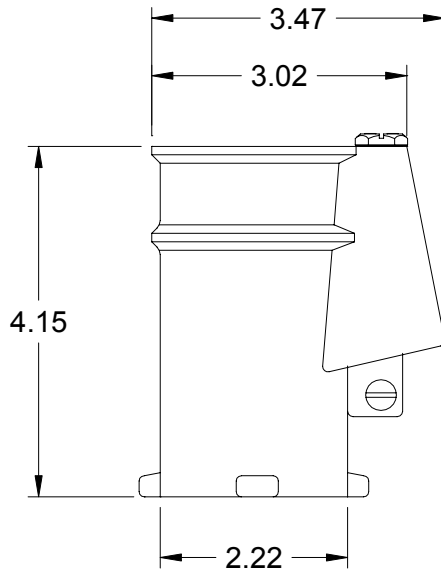


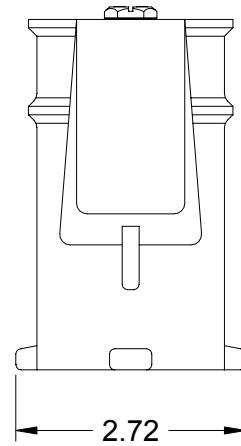
4" Bronze Anchor Socket



TOP VIEW



FRONT VIEW



SIDE VIEW

Specification: The 4" Bronze Anchor Socket assembly includes a 4" (101.6mm) deep cast bronze socket and secures fixtures by means of a wedge assembly. The anchor is intended for moderate to heavy-duty commercial use. It is threaded and comes with a 1/4-20 UNC brass grounding screw for bonding.

Shipping Weight: 2 lbs [0.91kg] (ea)

Specification Number:	SRS-908		
Product Description:	4" Bronze Anchor Socket		
S.R. Smith Part Number:	AS-100B	Scale:	NTS
Revision:	A	Date:	05/08/03
Written By:	T. Weil	Date:	05/08/03
Approved By:	B. Bisceglia	Date:	05/08/03
Page 1 of 1	Proprietary and confidential: The information contained in this specification is the sole property of S.R. Smith LLC. Any reproduction in part or whole without the written consent of S.R. Smith LLC is prohibited.		

S.R. Smith, LLC
P.O. Box 400, 1017 SW Berg Parkway
Canby, Oregon 97013
Tel: (888) 677-7776 (503) 266-2231
Fax: (503) 266-4334
www.srsmith.com