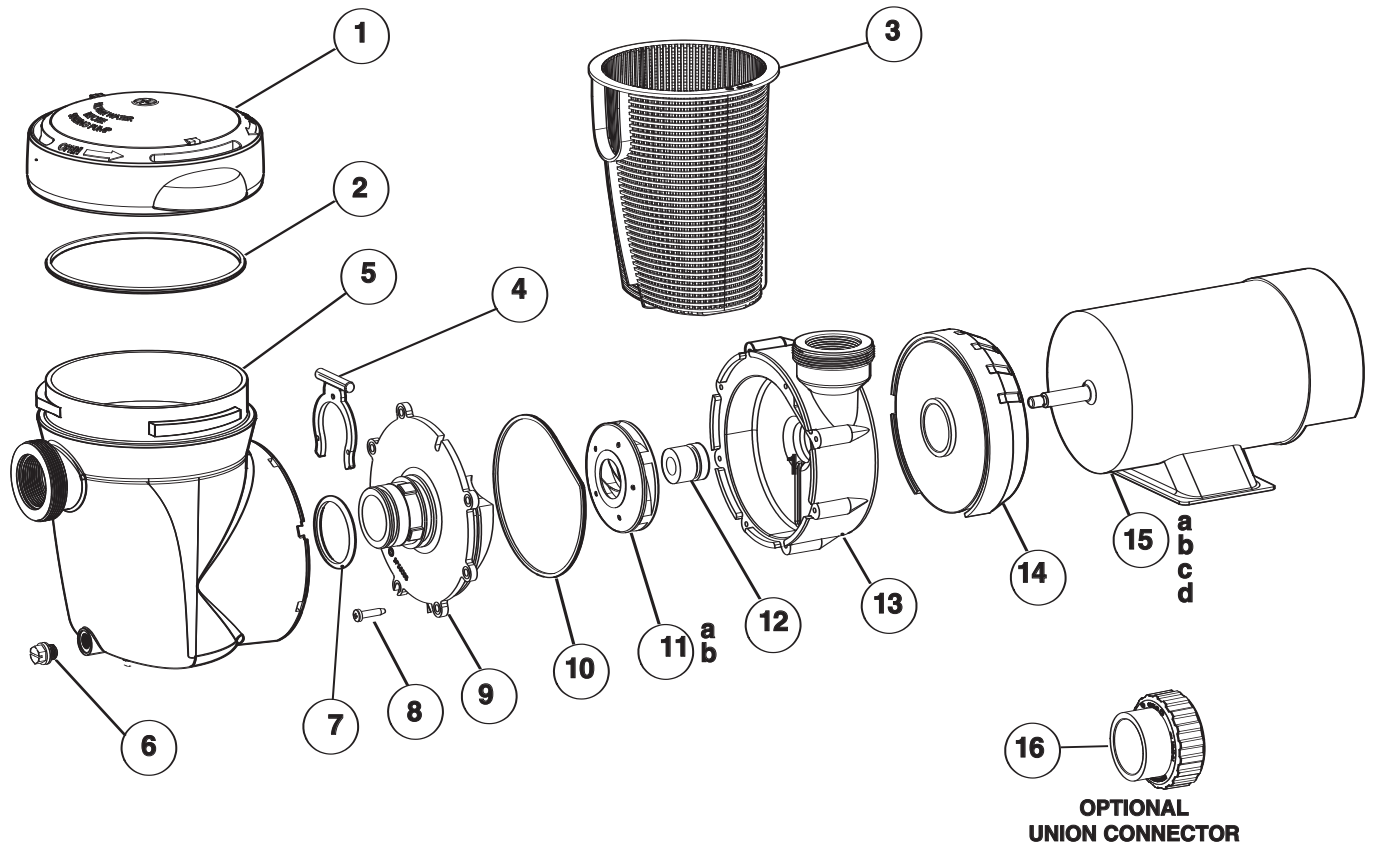


Parts for Pump Models: SP1591, SP1592, SP1593 Series



Ref. No.	Part No.	Description	Ctn. Qty.	No. Req'd
1	SPX5500D	Strainer Cover w/Lock Ring & 'O' Ring	10	1
2	SPX5500H	Strainer Cover 'O' Ring	10	1
3	SPX5500F	Strainer Basket	10	1
4	SPX5500G	Strainer Retainer/'C' Clip	10	1
5	SPX5500C	Strainer Housing	1	1
6	SPX1700FG	Drain Plug w/ Gasket	10	1
7	SPX5500K	Strainer 'O' Ring	10	1
8	SPX0714Z48	Screw, #14 x 1/4" Type B Pan Head	80	8
9	SPX5500B	Pump Cover	4	1
10	SPX0710XZ5	Housing 'O' Ring	10	1
11a	SPX1500F	3/4 HP Impeller Assembly	10	1
11b	SPX1500L	1 HP Impeller Assembly	10	1
12	SPX1250XZ2C	Shaft Seal Assembly	10	1
13	SPX5500A	Pump Housing	4	1
14	SPX5500EA	Shroud Assembly	4	1
15a	SPX1510Z1E	3/4 HP Motor w/Switch	1	1
15b	SPX1510Z1XE	1 HP Motor w/Switch	1	1
15c	SPX1515Z1ESC	1 1/2 HP Motor w/Switch	1	1
15d	SPX1520Z1ESC	2 HP Motor w/Switch	1	1
16 (optional)	SP1500UNPAK2	Union Connector Assembly	50	2